

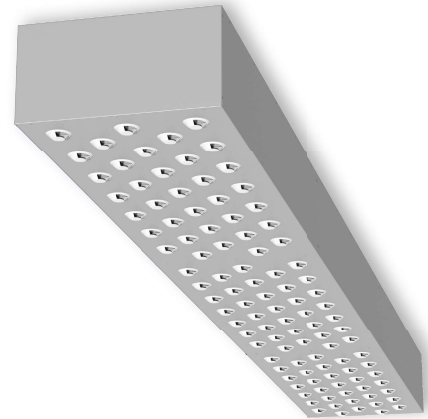
Ceiling diffuser with nozzles to integrate in false ceiling or to hang free.

Product description

DKR is a rectangular nozzle duct to mount integrated in a false ceiling or to be hung under a ceiling.

The nozzles is normally facing downwards with mounted air direction caps. They can be adjusted 360 degrees so the air is blown in the wanted direction.

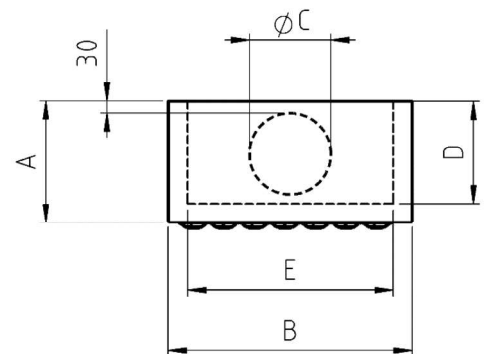
For diffusers hanging free nozzles can also be placed on the side of the diffuser. If needed some nozzles can be closed with lids.



DKR is configured in the REPUS plugin to MagiCAD or on www.repus.se with circular or rectangular connection.

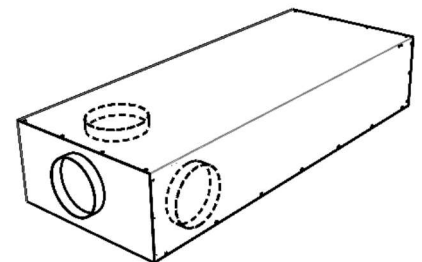
Available dimensions:

Height (A)	200, 250, 300, 350, 400, 500, 600
Width (B)	200, 300, 400, 500, 595, 700, 800, 1195
Circular connection(C)	Ø160, Ø200, Ø250, Ø315, Ø400, Ø500
Rectangular conn. Height (D)	200 to 600mm with interval 50mm
Rectangular conn. Width (E)	200 to 1200mm with interval to 50mm



Connection

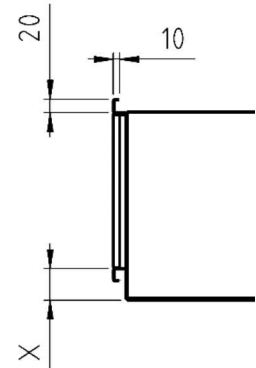
Circular or rectangular connection is placed in the gable as standard. Other position is possible.



PRODUCT DATA SHEET

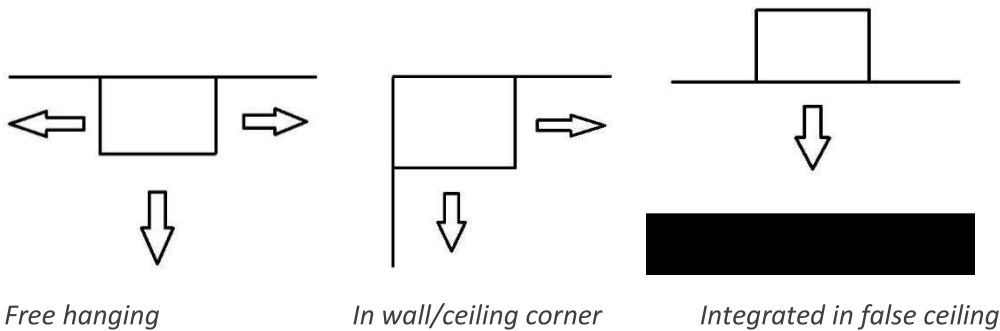
Rectangular connection

With rectangular connection and mounted in a false ceiling the minimum distance (X) between the connection and the bottom of the diffuser is 50mm.



Air pattern

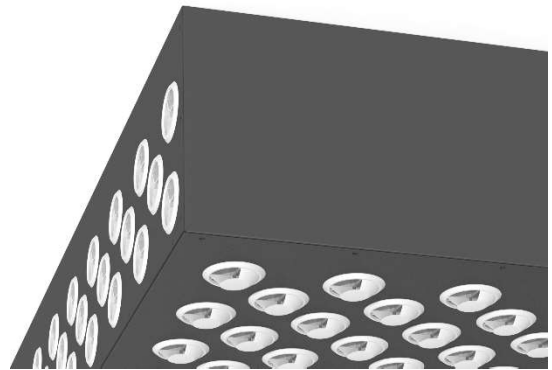
Different air patterns can be selected for different solutions.



Air direction caps

As standard all the nozzles facing down is equipped with air direction caps so the air can be blown in a suitable direction.

If the diffuser is mounted high the air can be pushed down if delivered without the caps



Adjustment of airflow

The diffuser has no air flow damper so a separate damper is needed. The nozzles can be closed with lids so the air flow can be adjusted with these lids (option).

Maintenance

The diffuser is maintenance free. When cleaning the diffuser is just wiped of with a slightly damp cloth and mild detergent.