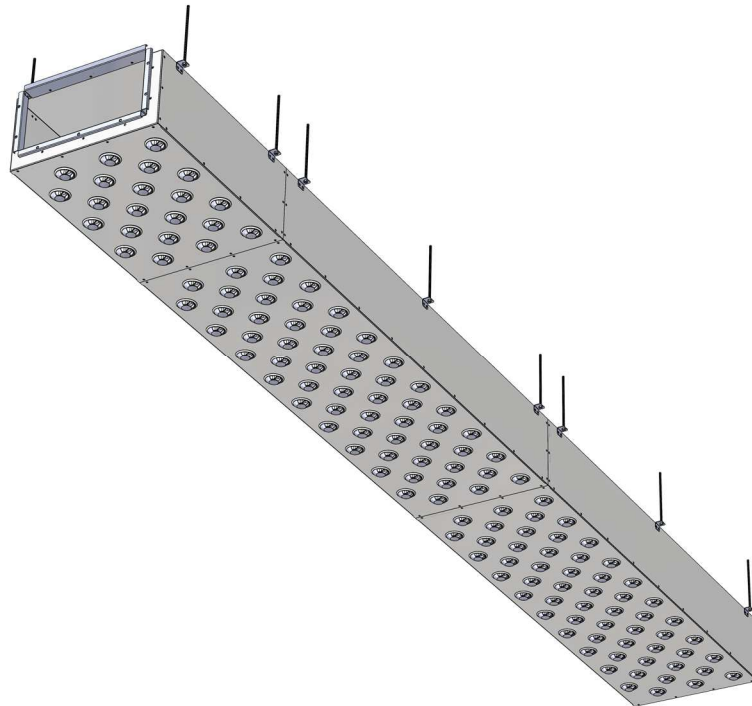
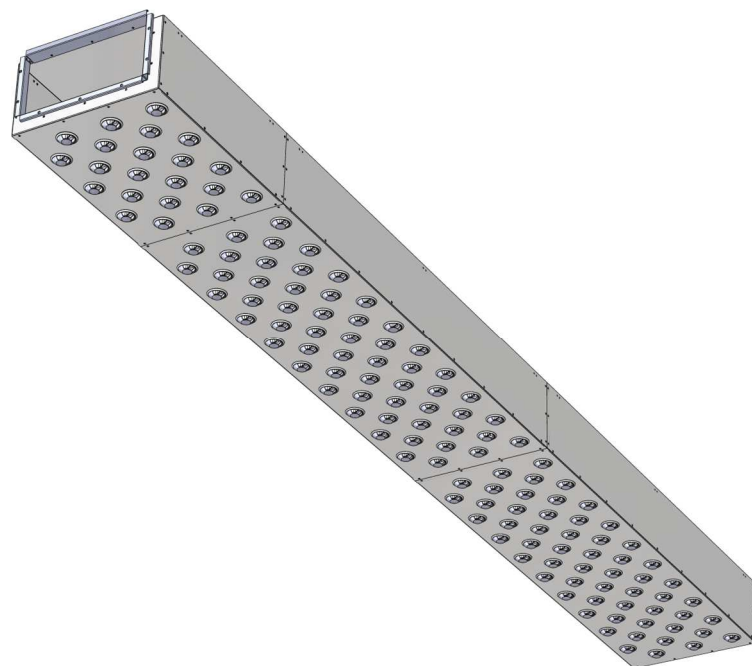


Alternative 1: Suspended hang up with L-square – page 2

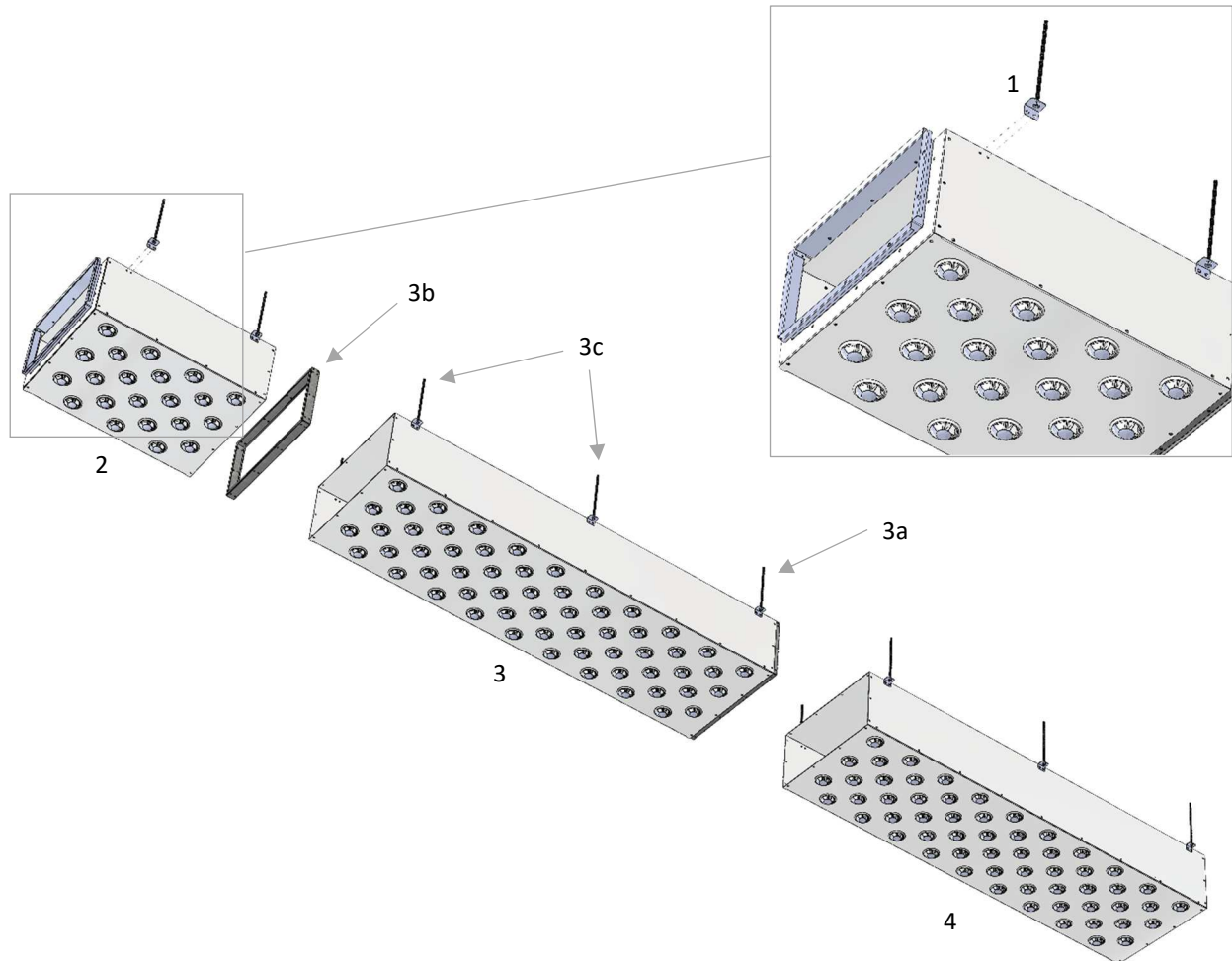


Alternative 2: Assembly with screw from inside – page 3



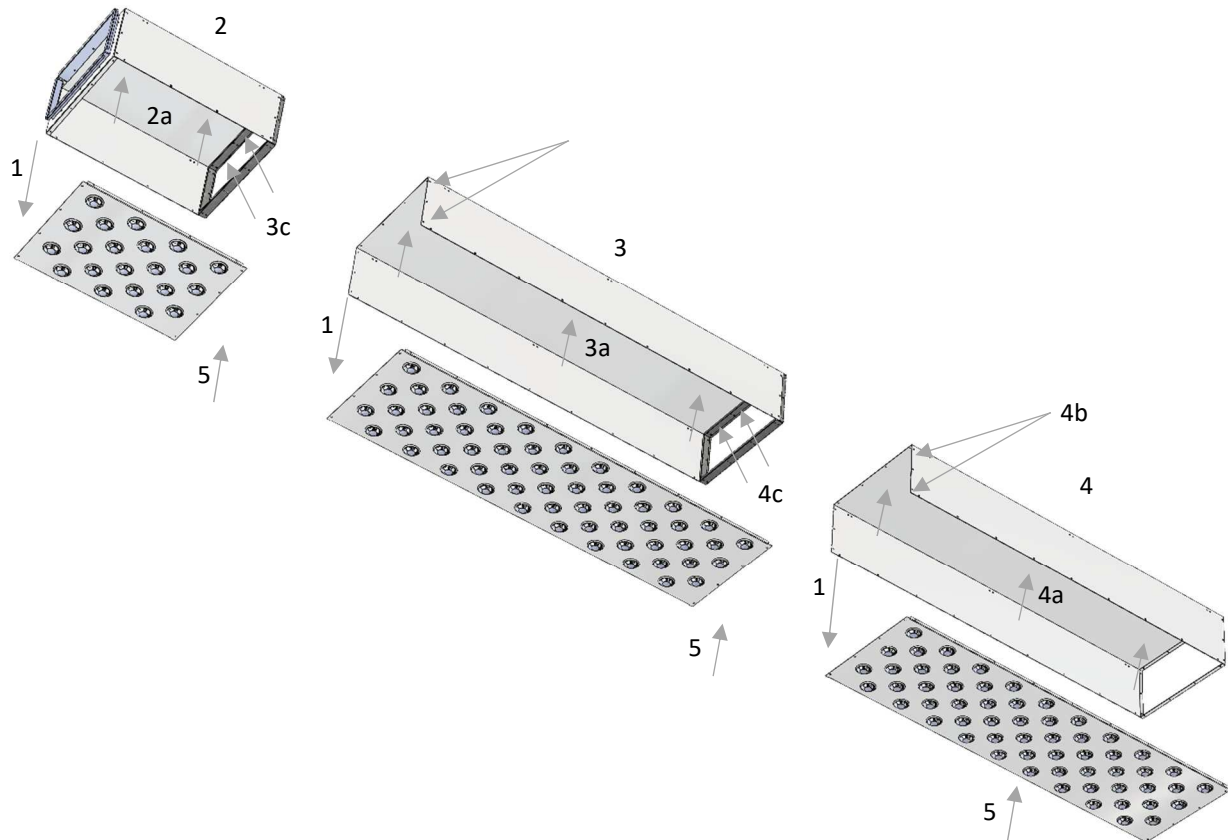
ASSEMBLY

Alternative 1: Suspended hang up with L-square



1. While the parts are on the floor assemble every L-square with two screws and then M8 threaded rods (not in Repus delivery) on each L-square.
2. The part with connection is hung up in the ceiling where the threaded rods are assembled in mounts (not in Repus delivery) in the ceiling.
3. Assemble every middle section
 - a. Hang up in threaded rod on the opposite side.
 - b. Screw this section in the joint profile of the first section with the Torx screws.
 - c. Complete with the rest of the threaded rods.
4. End the assembly with the section that have the end cap.

Alternative 2: Mounted with screws from inside



1. While the parts are on the floor unscrew the fronts (with nozzles), keep the joint profile on the back piece.
2. Connect the back piece to the ductwork
 - a. Screw the back piece from inside to the ceiling
3. Assemble every middle piece (3) and the end piece (4) edge to edge (no overlap) to the previous section. Make sure the holes in the joint profile of the previous section lines with the corresponding holes in the next back piece to get the correct position.
 - a. Screw the back piece from inside to the ceiling
 - b. Screw the side of the back piece (3) into the joint profile from the previous section from outside with the painted Torx-screws.
 - c. From the inside, screw the joint profile in the back piece with unpainted self-drilling screws
4. Install the last section with the end cap
 - a. Screw the back piece from inside to the ceiling
 - b. Screw the side of the back piece into the joint profile from the previous section from outside with the painted Torx-screws.

- c. From the inside, screw the joint profile in the back piece with unpainted self-drilling screws
5. Assemble the fronts (5) with the painted Torx-screws.